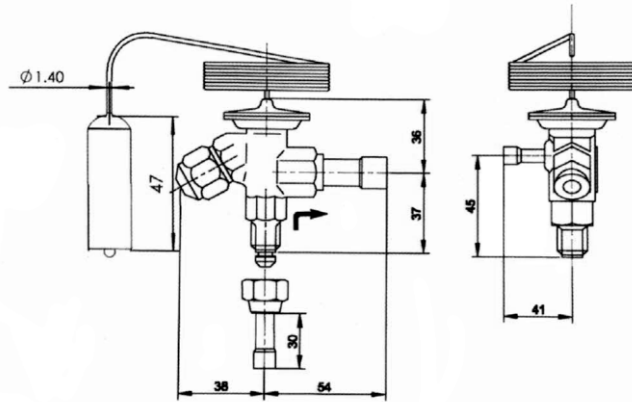


LFTEV

热力膨胀阀



LEFOO



尺寸单位:mm

LFTEV系列热力膨胀阀是可换流口的膨胀阀，适用于各种中小型干式蒸发器制冷剂的自动调节供给。具有稳定的过热度调节性能，可互换流口组件，适用于R22, R134a, R407C, R404A/R507等冷媒介质。可选择喇叭口或钎焊连接。蒸发温度范围：-40℃~+10℃。

选型表

LFTEV-H(T2\TE2)系列膨胀阀选型表格R
(分体订货，带感温包固定卡，流口组件与连接纳子请另外订购)

制冷剂	型号		平衡方式	毛细管	连接管		
					进口	出口	平衡管口
					ln/mm	ln/mm	ln/mm
R22	R22N-H	TX2	内平衡式	1500	3/8"/9.52	1/2"/12.7	
	R22W-H	TEX2	外平衡式	1500	3/8"/9.52	1/2"/12.7	1/4"/6.35
R407C	R407CN-H	TZ2	内平衡式	1500	3/8"/9.52	1/2"/12.7	
	R407CW-H	TEZ2	外平衡式	1500	3/8"/9.52	1/2"/12.7	1/4"/6.35
R134a	R134aN-H	TN2	内平衡式	1500	3/8"/9.52	1/2"/12.7	
	R134aW-H	TEN2	外平衡式	1500	3/8"/9.52	1/2"/12.7	1/4"/6.35
R404A/R507	R404A/R507N-H	TS2	内平衡式	1500	3/8"/9.52	1/2"/12.7	
	R404A/R507W-H	TES2	外平衡式	1500	3/8"/9.52	1/2"/12.7	1/4"/6.35

注：只有外平衡式的膨胀阀有平衡管口

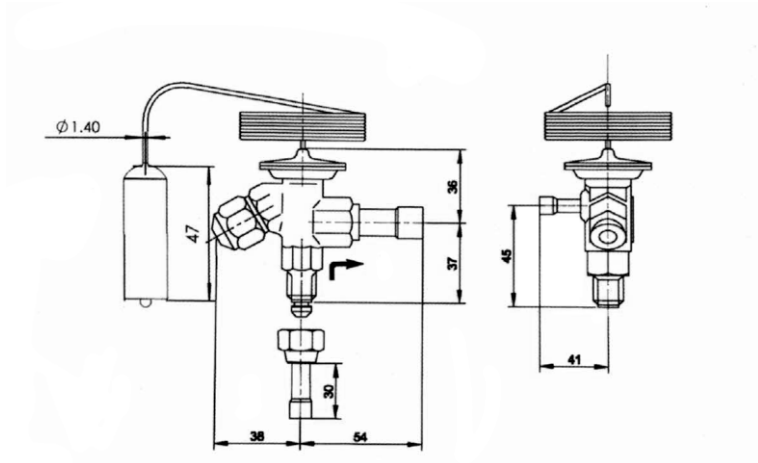
LFTEV-H (T2\TE2)型膨胀阀流口选型表格

流口编号	名义制冷量 (RT)				名义制冷量 (KW)			
	R22	R407C	R134A	R404A R507	R22	R407C	R134A	R404A R507
OX	0.15	0.16	0.11	0.11	0.5	0.5	0.4	0.38
00	0.3	0.3	0.25	0.21	1.0	1.1	0.9	0.7
01	0.7	0.6	0.5	0.45	2.5	2.7	1.8	1.6
02	1.0	1.1	0.8	0.6	3.5	3.8	2.6	2.1
03	1.5	1.6	1.3	1.2	5.2	5.6	4.8	4.2
04	2.3	2.5	1.9	1.7	8.0	8.6	6.7	6.0
05	3.0	3.2	2.5	2.2	10.5	11.3	8.6	7.7
06	4.5	4.9	3.0	2.6	15.5	16.7	10.5	9.1

LFTEV

Thermostatic Expansion Valves

LEFOO



LHRF-H is a kind of thermostatic expansion valve with interchangeable orifices suitable for automatic supply and regulation of the refrigerating agent of small and middle size dry evaporator. Constant superheat adjusting performance. Changeable orifice. Suitable for R22, R134a, R407C, R404A/R507. SAE or ODF connection. Evaporating temperature range: 60°C ~ +10°C.

Dimension in : mm

Model Selection

LFRF(T2\TE2) Expansion valve type & data

(separate or full set purchase, with Temperature sensing bulb fix fasten, valve core and connect nuts please separate purchase.)

Refrigerant	Model		balanced way	capillary vessel	connector		
					Inlet	Out let	Equalizing
					In/mm	In/mm	In/mm
R22	R22N-H	TX2	inner balance type	1500	3/8"/9.52	1/2"/12.7	
	R22W-H	TEX2	outer balance type	1500	3/8"/9.52	1/2"/12.7	1/4"/6.35
R407C	R407CN-H	TZ2	inner balance type	1500	3/8"/9.52	1/2"/12.7	
	R407CW-H	TEZ2	outer balance type	1500	3/8"/9.52	1/2"/12.7	1/4"/6.35
R134a	R134aN-H	TN2	inner balance type	1500	3/8"/9.52	1/2"/12.7	
	R134aW-H	TEN2	outer balance type	1500	3/8"/9.52	1/2"/12.7	1/4"/6.35
R404A/R507	R404A/R507N-H	TS2	inner balance type	1500	3/8"/9.52	1/2"/12.7	
	R404A/R507W-H	TES2	outer balance type	1500	3/8"/9.52	1/2"/12.7	1/4"/6.35

Mark: only outer balance type expansion valve have balance connector

Orifice type & data

orifice	Nominal capacity (RT)				Nominal capacity (KW)			
	R22	R407C	R134A	R404A R507	R22	R407C	R134A	R404A R507
OX	0.15	0.16	0.11	0.11	0.5	0.5	0.4	0.38
00	0.3	0.3	0.25	0.21	1.0	1.1	0.9	0.7
01	0.7	0.6	0.5	0.45	2.5	2.7	1.8	1.6
02	1.0	1.1	0.8	0.6	3.5	3.8	2.6	2.1
03	1.5	1.6	1.3	1.2	5.2	5.6	4.8	4.2
04	2.3	2.5	1.9	1.7	8.0	8.6	6.7	6.0
05	3.0	3.2	2.5	2.2	10.5	11.3	8.6	7.7
06	4.5	4.9	3.0	2.6	15.5	16.7	10.5	9.1